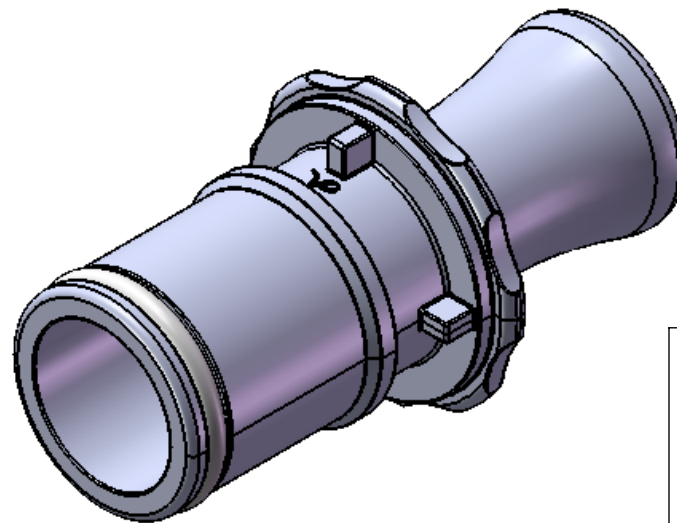
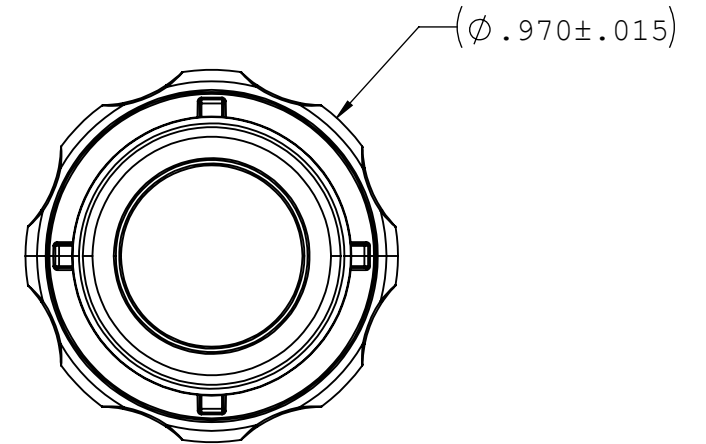
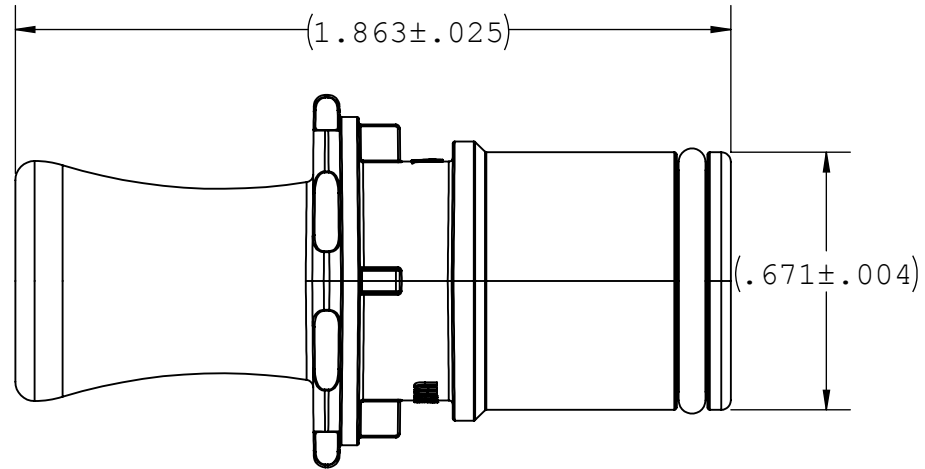


NOTES: FOR MORE DETAILS SEE YOUR V.P. SERVICE REP.

REVISIONS			
REV.	DESCRIPTION	DATE	APPROVED
A	INITIAL RELEASE	08-08-14	H.L
B	ECO 306	10-28-15	H.L



UNLESS OTHERWISE SPECIFIED DIMENSIONS ARE IN INCHES TOLERANCES ARE:		VALUE PLASTICS, INC			
FRACTIONS DECIMAL ANGULAR ± .XX ±.01 ± 1° .XXX ±.005 .XXXX ±.001		PART NUMBER: RQXMP			
DO NOT SCALE DRAWING		DESCRIPTION: RQX Series Male Connector Plug			
DRAWN BY: Frank.Lombardi	DATE: 10/28/2015	SIZE: B	SCALE: NTS	VER: 	DWG. NO. 1027053
MANAGER: Huadong L.		© 2011 VALUE PLASTICS, INC			REV B
				SHEET: 1 OF 1	

FOR REFERENCE ONLY